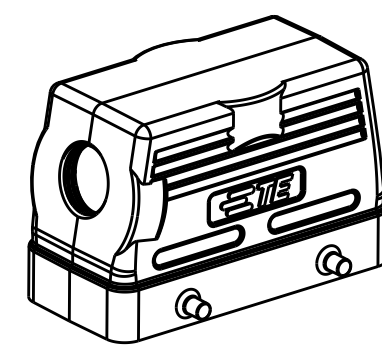
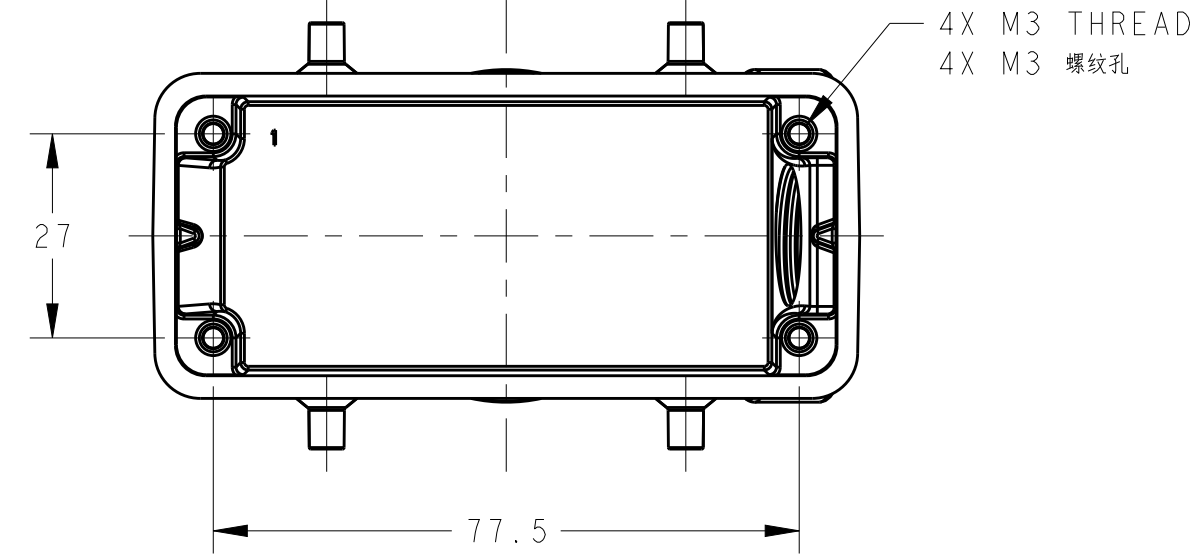
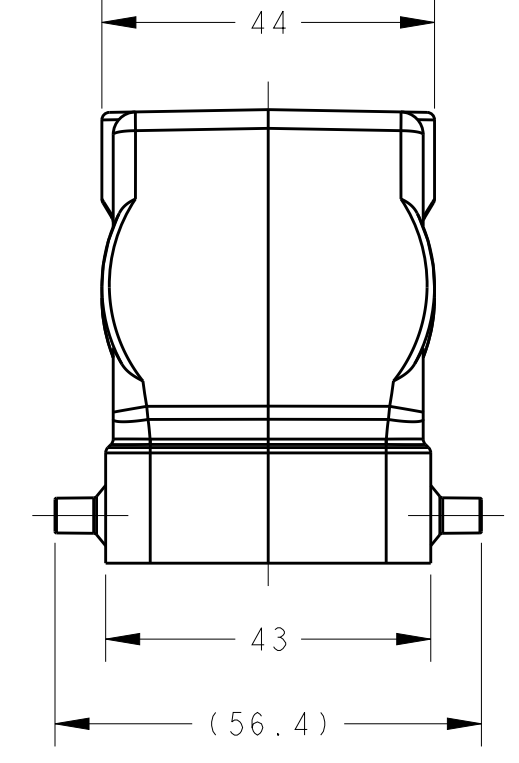
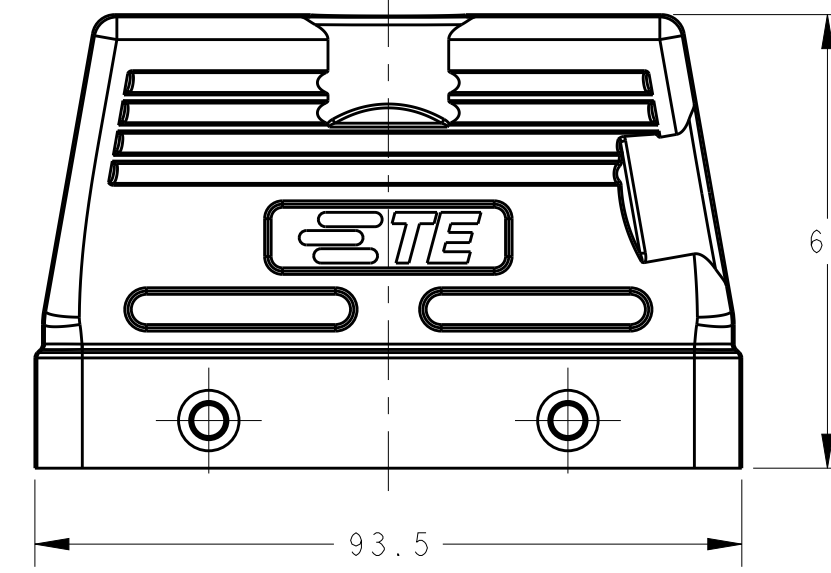
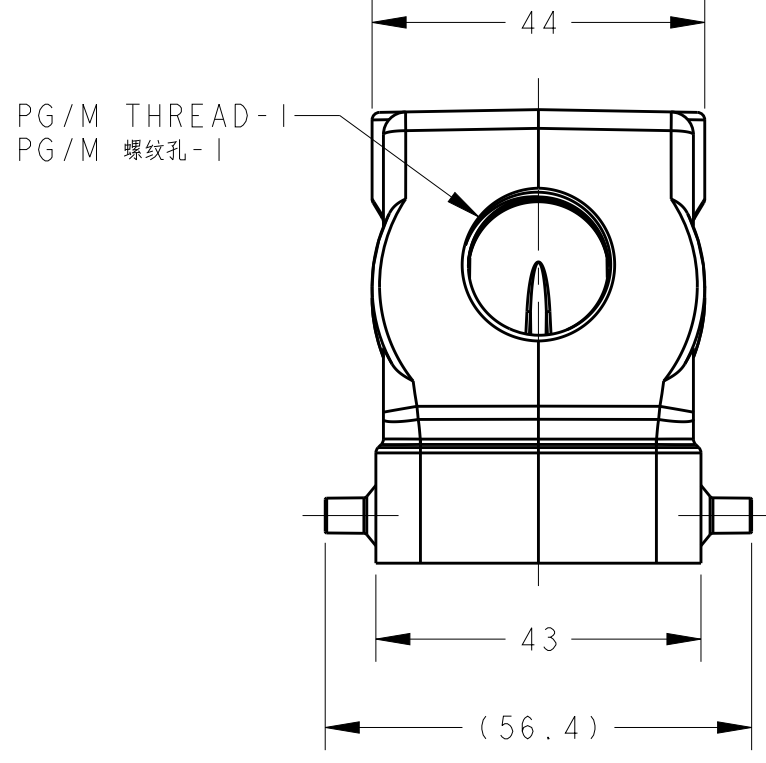
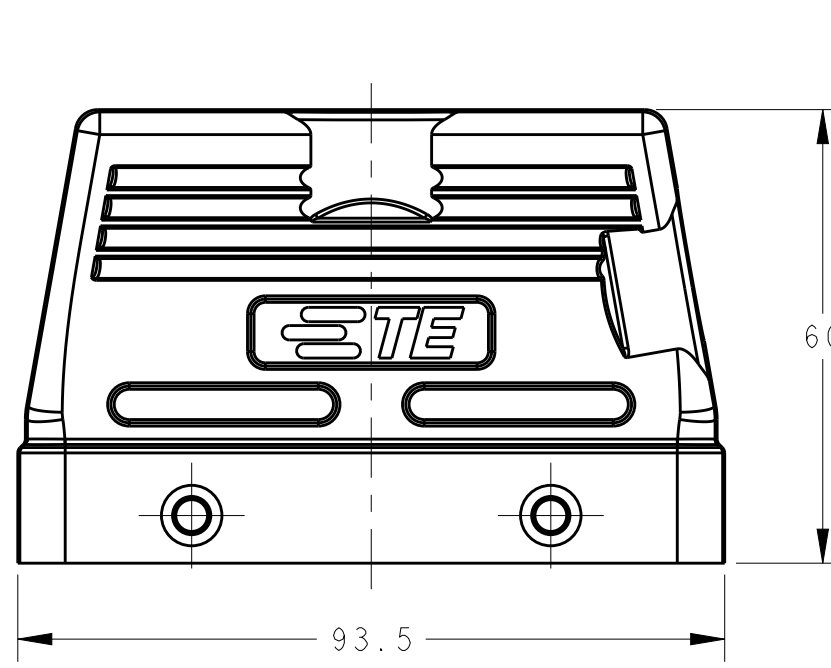
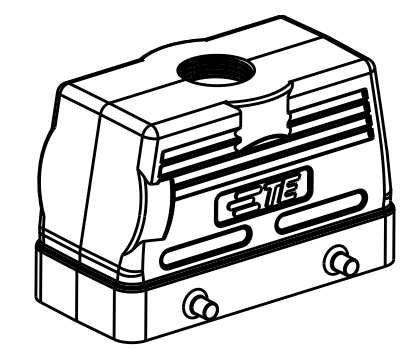
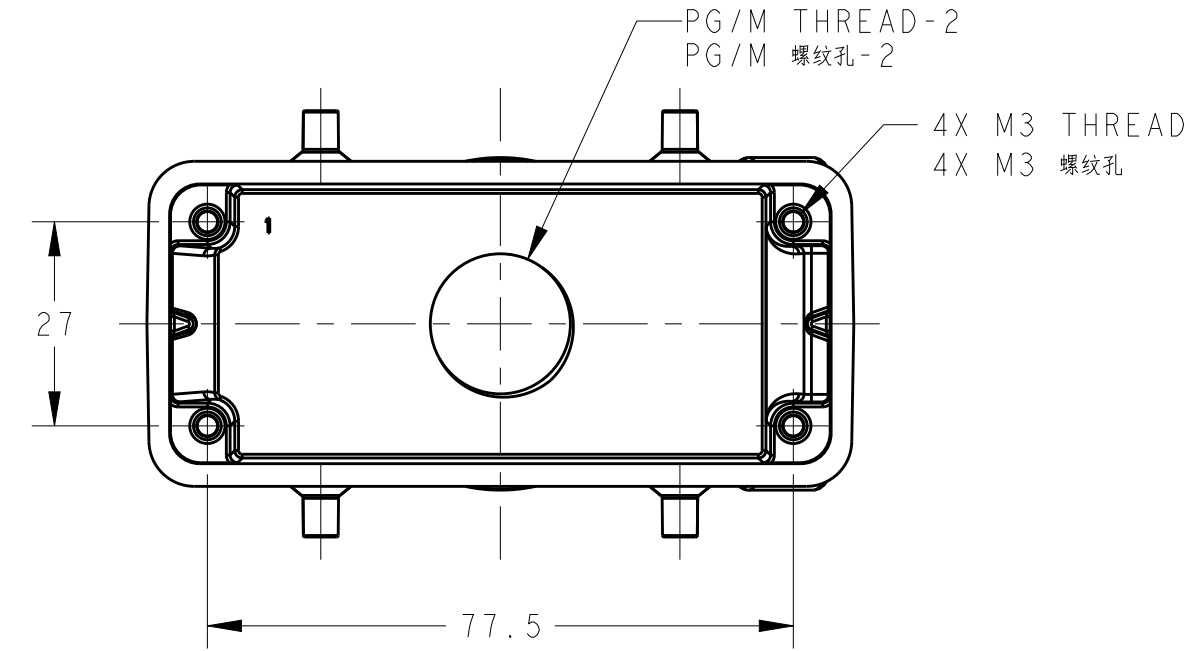


THIS DRAWING IS UNPUBLISHED. RELEASED FOR PUBLICATION 20
 © COPYRIGHT 20 BY - ALL RIGHTS RESERVED.

REVISIONS				
P	LTR	DESCRIPTION	DATE	APVD
A		INITIAL	25MAY2015	DW CW
A1		ECR-16-013641	24SEP2016	CH CW



SCALE 1:2



SCALE 1:2

TYPE 1: LOW CONSTRUCTION, SIDE ENTRY
 类型1: 低结构, 侧出

TYPE 2: LOW CONSTRUCTION, TOP ENTRY
 类型2: 低结构, 顶出

NOTES:
 1. TECHNICAL CHARACTERISTICS:
 HOOD MATERIAL: DIE CAST ALUMINIUM ALLOY
 SURFACE: POWDER COATED, GRAY
 DEGREE OF PROTECTION: IP65 (MATED)

注释:
 1. 技术参数:
 上壳材料: 铝合金
 表面处理: 灰色粉末涂层
 防护等级: IP65(配合)


THIS DRAWING IS A CONTROLLED DOCUMENT.		DWN DAVID.WANG 25MAY2015	STE TE Connectivity	
		CHK CHRIS.WANG 25MAY2015		
		APVD XIANG.XU 25MAY2015	NAME H16B-TS/TG-M/PG	
DIMENSIONS: mm		PRODUCT SPEC 108-137013	SIZE CAGE CODE DRAWING NO RESTRICTED TO	
TOLERANCES UNLESS OTHERWISE SPECIFIED:		APPLICATION SPEC 114-137013	A200779 C-T12X01601XX000	
MATERIAL		WEIGHT	SCALE 1:1 SHEET 1 OF 2 REV A1	
		Customer Drawing		

THIS DRAWING IS UNPUBLISHED. RELEASED FOR PUBLICATION 20
 © COPYRIGHT 20 BY - ALL RIGHTS RESERVED.

REVISIONS				
P	LTR	DESCRIPTION	DATE	APVD
-	-	SEE SHEET 1	-	-

NOTES:
SEE SHEET 1.

T1210160116-000	H16B-TS-PG16	H16B HOOD, SIDE ENTRY PG16, 4 EAR, LOW CONSTRUCTION, POWDER COATED, GRAY H16B上壳,侧出PG16,4耳,低结构,灰色粉末喷涂	PG16	-	TYPE 1
T1210160120-000	H16B-TS-M20	H16B HOOD, SIDE ENTRY M20, 4 EAR, LOW CONSTRUCTION, POWDER COATED, GRAY H16B上壳,侧出M20,4耳,低结构,灰色粉末喷涂	M20	-	
T1210160121-000	H16B-TS-PG21	H16B HOOD, SIDE ENTRY PG21, 4 EAR, LOW CONSTRUCTION, POWDER COATED, GRAY H16B上壳,侧出PG21,4耳,低结构,灰色粉末喷涂	PG21	-	
T1210160125-000	H16B-TS-M25	H16B HOOD, SIDE ENTRY M25, 4 EAR, LOW CONSTRUCTION, POWDER COATED, GRAY H16B上壳,侧出M25,4耳,低结构,灰色粉末喷涂	M25	-	
T1210160132-000	H16B-TS-M32	H16B HOOD, SIDE ENTRY M32, 4 EAR, LOW CONSTRUCTION, POWDER COATED, GRAY H16B上壳,侧出M32,4耳,低结构,灰色粉末喷涂	M32	-	
T1220160129-000	H16B-TG-PG29	H16B HOOD, TOP ENTRY PG29, 4 EAR, LOW CONSTRUCTION, POWDER COATED, GRAY H16B上壳,顶出PG29,4耳,低结构,灰色粉末喷涂	-	PG29	TYPE 2
T1220160116-000	H16B-TG-PG16	H16B HOOD, TOP ENTRY PG16, 4 EAR, LOW CONSTRUCTION, POWDER COATED, GRAY H16B上壳,顶出PG16,4耳,低结构,灰色粉末喷涂	-	PG16	
T1220160120-000	H16B-TG-M20	H16B HOOD, TOP ENTRY M20, 4 EAR, LOW CONSTRUCTION, POWDER COATED, GRAY H16B上壳,顶出M20,4耳,低结构,灰色粉末喷涂	-	M20	
T1220160121-000	H16B-TG-PG21	H16B HOOD, TOP ENTRY PG21, 4 EAR, LOW CONSTRUCTION, POWDER COATED, GRAY H16B上壳,顶出PG21,4耳,低结构,灰色粉末喷涂	-	PG21	
T1220160125-000	H16B-TG-M25	H16B HOOD, TOP ENTRY M25, 4 EAR, LOW CONSTRUCTION, POWDER COATED, GRAY H16B上壳,顶出M25,4耳,低结构,灰色粉末喷涂	-	M25	
T1220160132-000	H16B-TG-M32	H16B HOOD, TOP ENTRY M32, 4 EAR, LOW CONSTRUCTION, POWDER COATED, GRAY H16B上壳,顶出M32,4耳,低结构,灰色粉末喷涂	-	M32	
T1220160136-000	H16B-TG-M36	H16B HOOD, TOP ENTRY M36, 4 EAR, LOW CONSTRUCTION, POWDER COATED, GRAY H16B上壳,顶出M36,4耳,低结构,灰色粉末喷涂	-	M36	
成品料号 ASSEMBLY PART NUMBER	成品描述 ASSEMBLY PART DESCRIPTION		PG/M THREAD-1 PG/M 螺纹孔-1	PG/M THREAD-2 PG/M 螺纹孔-2	TYPE

THIS DRAWING IS A CONTROLLED DOCUMENT.		DWN DAVID.WANG 25MAY2015	 TE Connectivity	
		CHK CHRIS.WANG 25MAY2015		
		APVD XIANG.XU 25MAY2015	NAME H16B-TS/TG-M/PG	
DIMENSIONS: mm		TOLERANCES UNLESS OTHERWISE SPECIFIED: 0 PLC ± 1 PLC ± 2 PLC ± 3 PLC ± 4 PLC ± ANGLES ± FINISH	PRODUCT SPEC 108-137013	RESTRICTED TO
MATERIAL			APPLICATION SPEC 114-137013	SIZE A2
			WEIGHT	CAGE CODE 00779
			Customer Drawing	DRAWING NO T12X01601XX000
				SCALE 1:1
				SHEET 2 OF 2
				REV A1